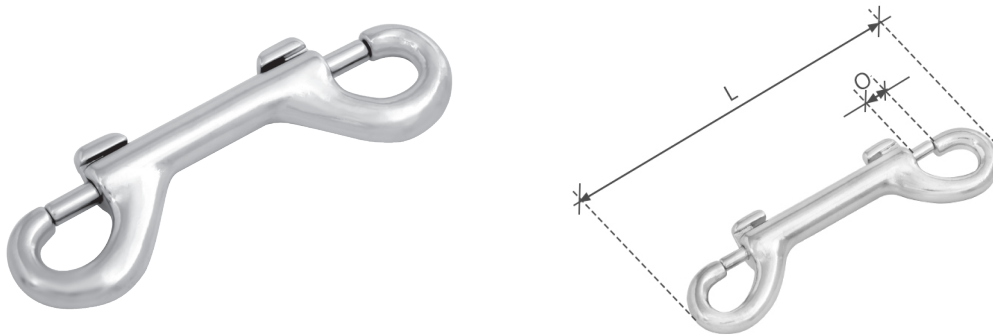


hamma®
INDUSTRIAL



PRODUCT DATA SHEET					
CODE	Size (inch)	L (mm)	O (mm)	Box Qty.	B.L. (kgs)
AWG-6163-0434	4.3/4"	120.0	11.5	300	360

TECHNICAL DATA

<i>Casting Material:</i>	<i>AISI316- DIN 1.4408</i>
<i>Production:</i>	<i>S163-Snap-Cast</i>
<i>Surface Treatment:</i>	<i>"E. P" Electro Polished</i>

100%
RECYCLABLE